



PREPARED EXCLUSIVELY FOR

The Outdoor Kitchen Design Store Outdoor Kitchens designed with the chef in mind

Notes:

What are you waiting for let's build that outdoor kitchen
OutdoorKitchenDesigner.com 1-855-GET OUTDOORS

Specifications are subject to change without notice. This information was generated on January 6, 2020 and reflects the published specifications for the included models at that time. For detailed installation specifications prior to finalizing your cabinetry/enclosures please download the Design Guides or contact Customer Care.

PW3633180

FEATURES

Matches the same heavy-duty stainless-steel construction, hand-finished hemmed edges, and welded seams of all [#tri-brand#] products

Select from internal, in-line, or remote blower options (blower required)

Illuminates your cooking area with halogen lighting

Rely on a heat sentry that automatically turns on the blower or increases its speed when exhaust temperatures exceed 200 degrees Fahrenheit

ACCESSORIES

1100 CFM Inline Blower

1500 CFM Remote Blower

18" Duct Cover

30" Duct Cover

6" Duct Cover

801642-1200 CFM Remote Blower

814423-1200 CFM Internal Blower

Accessories available through an authorized dealer.

For local dealer information, visit subzero-wolf.com/locator.



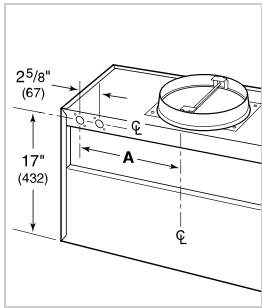
BLOWER OPTIONS

- 1200 CFM Internal
- 1100 CFM Inline
- 1200 CFM Remote
- 1500 CFM Remote

PRODUCT SPECIFICATIONS

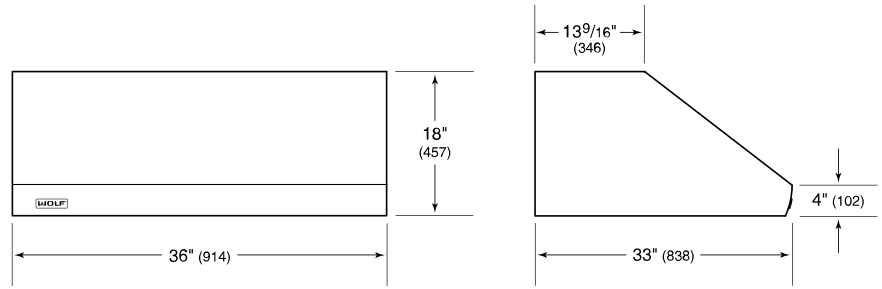
Model	PW363318O
Dimensions	36"W x 18"H x 33"D
Electrical Supply	110/120 VAC, 60 Hz
Electrical Service	15 amp dedicated circuit
Discharge Location	Vertical
Discharge Dimensions	10" Round
Bottom of Hood to Countertop	36" to 42"

ELECTRICAL



NOTE: Dimensions in parenthesis are in millimeters unless otherwise specified

DIMENSIONS



PW4833180**FEATURES**

Matches the same heavy-duty stainless-steel construction, hand-finished hemmed edges, and welded seams of all [#tri-brand#] products

Select from internal, in-line, or remote blower options (blower required)

Illuminates your cooking area with halogen lighting

Rely on a heat sentry that automatically turns on the blower or increases its speed when exhaust temperatures exceed 200 degrees Fahrenheit

ACCESSORIES

1100 CFM Inline Blower

1500 CFM Remote Blower

18" Duct Cover

30" Duct Cover

6" Duct Cover

801642-1200 CFM Remote Blower

814423-1200 CFM Internal Blower

Accessories available through an authorized dealer.

For local dealer information, visit subzero-wolf.com/locator.

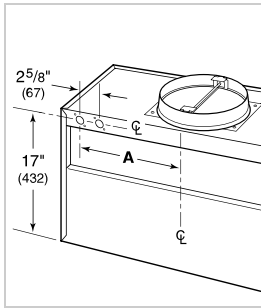
**BLOWER OPTIONS**

- 1200 CFM Internal
- 1100 CFM Inline
- 1200 CFM Remote
- 1500 CFM Remote

PRODUCT SPECIFICATIONS

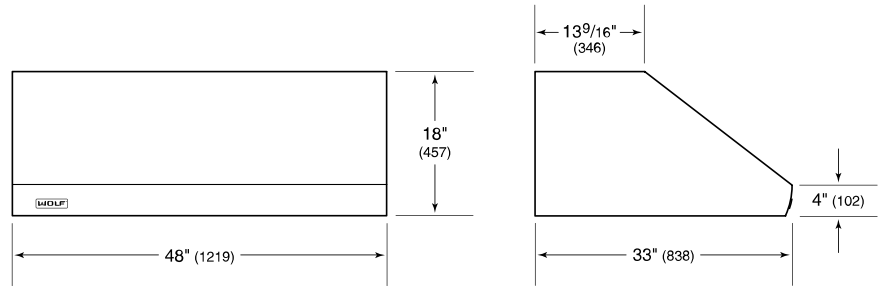
Model	PW483318O
Dimensions	48"W x 18"H x 33"D
Electrical Supply	110/120 VAC, 60 Hz
Electrical Service	15 amp dedicated circuit
Discharge Location	Vertical
Discharge Dimensions	10" Round
Bottom of Hood to Countertop	36" to 42"

ELECTRICAL



NOTE: Dimensions in parenthesis are in millimeters unless otherwise specified

DIMENSIONS



PW6033180

FEATURES

Matches the same heavy-duty stainless-steel construction, hand-finished hemmed edges, and welded seams of all [#tri-brand#] products

Select from internal, in-line, or remote blower options (blower required)

Illuminates your cooking area with halogen lighting

Rely on a heat sentry that automatically turns on the blower or increases its speed when exhaust temperatures exceed 200 degrees Fahrenheit

ACCESSORIES

1100 CFM Inline Blower

1500 CFM Remote Blower

18" Duct Cover

30" Duct Cover

6" Duct Cover

801642-1200 CFM Remote Blower

814423-1200 CFM Internal Blower

Accessories available through an authorized dealer.

For local dealer information, visit subzero-wolf.com/locator.



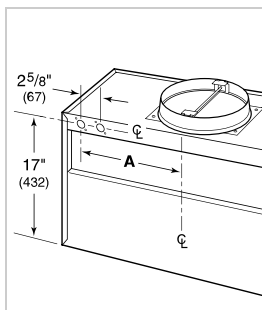
BLOWER OPTIONS

- 1200 CFM Internal
- 1100 CFM Inline
- 1200 CFM Remote
- 1500 CFM Remote

PRODUCT SPECIFICATIONS

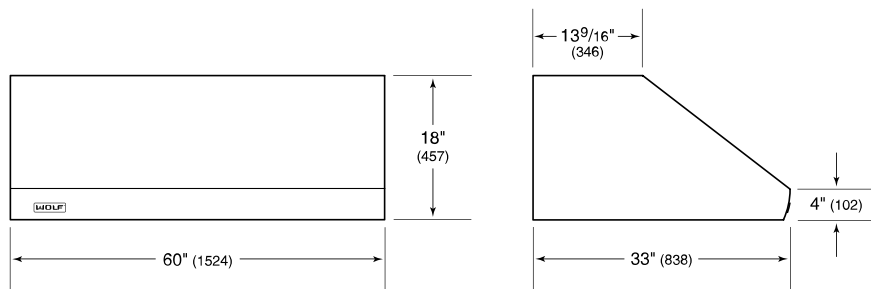
Model	PW603318O
Dimensions	60"W x 18"H x 33"D
Electrical Supply	110/120 VAC, 60 Hz
Electrical Service	15 amp dedicated circuit
Discharge Location	Vertical
Discharge Dimensions	10" Round
Bottom of Hood to Countertop	36" to 42"

ELECTRICAL



NOTE: Dimensions in parenthesis are in millimeters unless otherwise specified

DIMENSIONS



WWD300



FEATURES

Distributes heat evenly from 80 to 200 degrees Fahrenheit using fans

Resists corrosion with tested stainless-steel panels that hold up to the outdoor elements

Includes food presets, such as bread, cooked cereals, and pizza

Tested and approved for warming towels

Fits entrées and sides easily in its generous 30 inch drawer cavity

Includes hidden electronic controls

Offers automatic shut-off

ACCESSORIES

30" Stainless Professional Front Panel - 2" Thick

36" Stainless Professional Front Panel - 2" Thick

6-Piece Container Set

Warming Drawer Front Panel - Integrated

Warming Drawer Front Panels - M Series

Warming Drawer Front Panels - E Series

Accessories available through an authorized dealer.

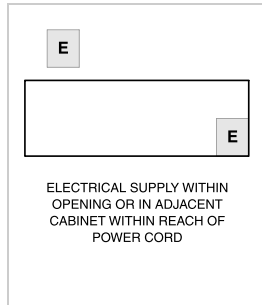
For local dealer information, visit subzero-wolf.com/locator.



PRODUCT SPECIFICATIONS

Model	WWD300
Dimensions	29 7/8"W x 10 3/8"H x 22 3/4"D
Capacity	1.6 cu. ft.
Electrical Supply	120 VAC, 60 Hz
Electrical Service	15 amp dedicated circuit
Power Cord Length	3 Feet
Receptacle	3-prong grounding-type

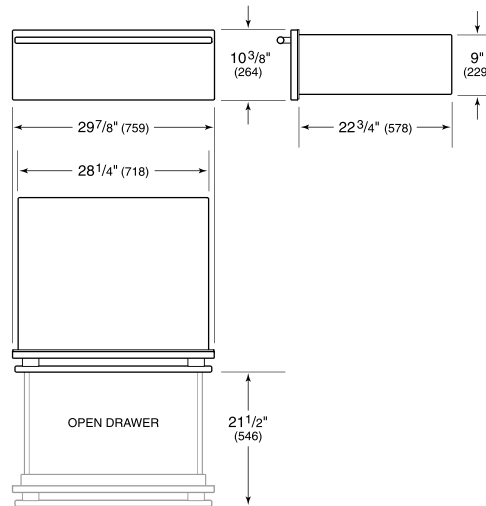
ELECTRICAL



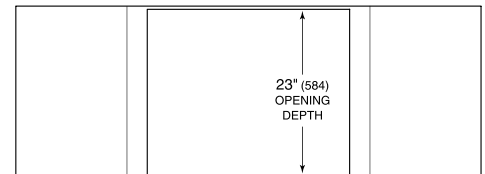
INSTALLATION WITH FRONT PANEL Accessory front panels may affect overall product dimensions and opening dimensions. Refer to [Reveal](http://subzero-wolf.com/reveal) for more information: subzero-wolf.com/reveal

NOTE: Dimensions in parenthesis are in millimeters unless otherwise specified

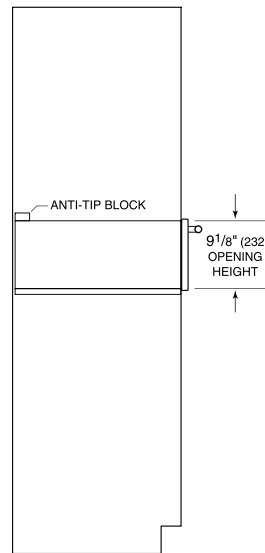
DIMENSIONS



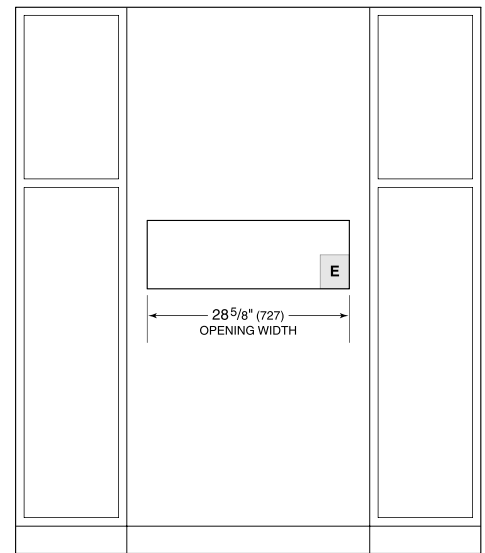
STANDARD INSTALLATION



TOP VIEW



SIDE VIEW



FRONT VIEW

NOTE: Location of electrical supply within opening may require additional cabinet depth.

BM13

FEATURES

Build a side burner into your outdoor kitchen so you can prepare dishes outside without having to run inside

Offers 24,000 Btu heat—ideal for searing meats on high or scrambling eggs on low

Constructed with heavy-duty stainless steel

Designed with a stainless-steel cover and burner grates

Grill any time of day with LED-lit signature Wolf red control knobs

Skip the need for a pilot light with electric hot surface ignitors

ACCESSORIES

Black Knob

Accessories available through an authorized dealer.
For local dealer information, visit subzero-wolf.com/locator.



KNOB OPTIONS



GRILL SPECIFICATIONS

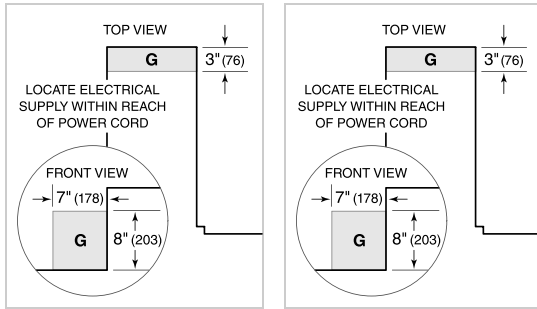
- 1 burner grate

PRODUCT SPECIFICATIONS

Model	BM13
Dimensions	13"W x 10 3/4"H x 30"D
Electrical Supply	120 VAC, 60 Hz
Electrical Service	15 amp dedicated circuit
Gas Supply	3/4" ID line
Gas Inlet	1/2" NPT female
Power Cord Length	5 Feet
Receptacle	3-prong grounding-type

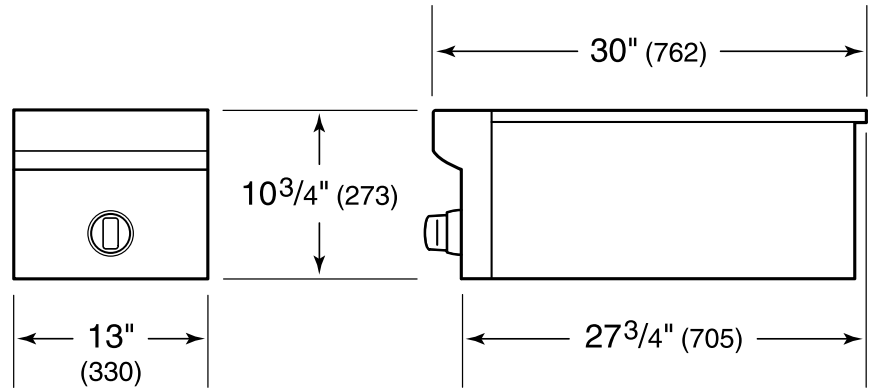
ELECTRICAL

GAS

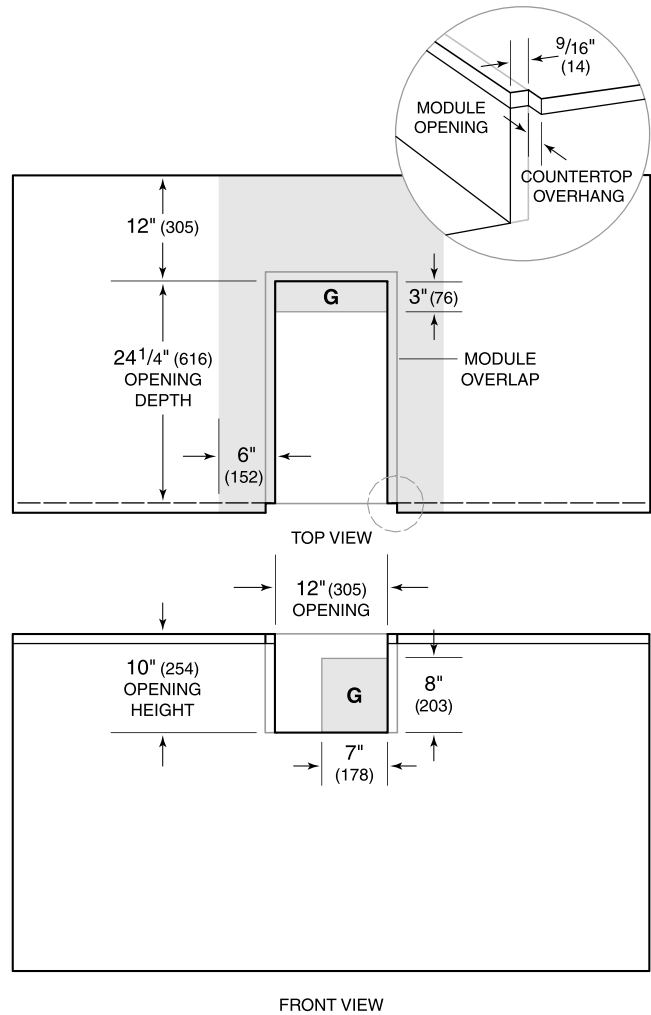


NOTE: Dimensions in parenthesis are in millimeters unless otherwise specified

DIMENSIONS



STANDARD INSTALLATION



NOTE: Shaded area above countertop indicates minimum clearance to combustible surfaces, combustible materials cannot be located within this area. An insulating liner is not required.

OG 30

FEATURES

Two individually contained 25,000 Btu grill burners deliver exceptional high to low control

Have it built-in or make it a free-standing cart

Gain nuanced control and more taste from the direct and radiant heat provided by ceramic briquettes

Designed with a stainless-steel cover

Grill any time of day with LED-lit signature Wolf red control knobs

The two position rotisserie handles dishes large and small with a 14,000 Btu infrared burner

Resists the elements with its heavy-duty, all-weather stainless-steel construction

Using our easy-open, double-wall hood provides more heat for more efficient grilling

Illuminates your grilling surface with two powerful halogen lights

Eliminates the need for a pilot light with electric hot surface igniters

ACCESSORIES

30" Access Doors

30" Grill Liner

36" Access Doors

42" Access Doors

54" Access Doors

Access Door - Left Hinge

Access Door - Right Hinge

Black Knobs

Built-In Cover

Cart Cover

Combo Door and Drawer

Double Storage Drawer

Double Trash/Recycling Drawer

Griddle Plate

Paper Towel Drawer

Rotisserie Conversion

Short Dry Storage

Single Drawer Storage

Single Trash/Recycling Drawer

Tall Dry Storage - Left Hinge

Tall Dry Storage - Right Hinge

Triple Storage Drawer

Accessories available through an authorized dealer.

For local dealer information, visit subzero-wolf.com/locator.



KNOB OPTIONS



GRILL SPECIFICATIONS

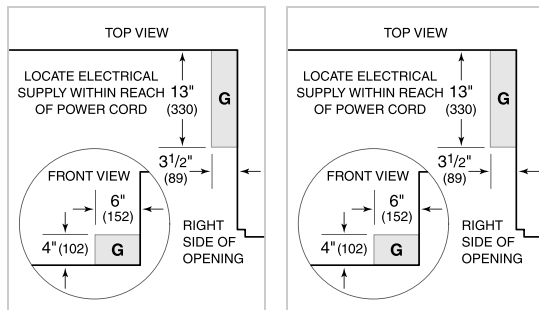
- Halogen lighting
- External reading thermometer
- Rotisserie
- 2 removable stainless steel burner grate; 1 warming rack
- Removable drip tray

PRODUCT SPECIFICATIONS

Model	OG30
Dimensions	30"W x 27"H x 30"D
Electrical Supply	120 VAC, 60 Hz
Electrical Service	15 amp dedicated circuit
Gas Supply	3/4" ID line
Gas Inlet	1/2" NPT female
Power Cord Length	5 Feet
Receptacle	3-prong grounding-type

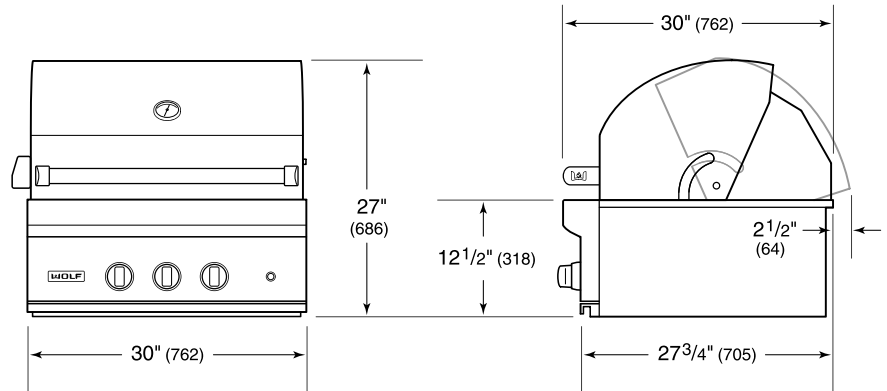
ELECTRICAL

GAS

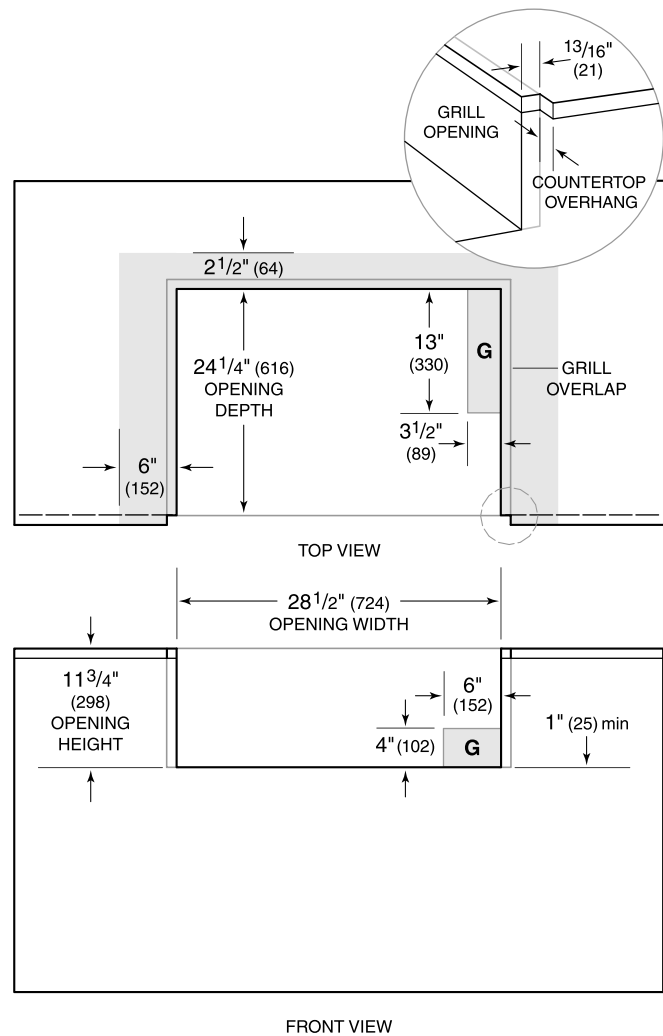


NOTE: Dimensions in parenthesis are in millimeters unless otherwise specified

DIMENSIONS



STANDARD INSTALLATION



NOTE: Shaded area above countertop indicates minimum clearance to combustible surfaces, combustible materials cannot be located within this area.

OG 36

FEATURES

Two individually contained 25,000 Btu grill burners deliver exceptional high to low control

Have it built-in or make it a free-standing cart

Gain nuanced control and more taste from the direct and radiant heat provided by ceramic briquettes

Designed with a stainless-steel cover

Grill any time of day with LED-lit signature Wolf red control knobs

The two position rotisserie handles dishes large and small with a 16,000 Btu infrared burner

Resists the elements with its heavy-duty, all-weather stainless-steel construction

Using our easy-open, double-wall hood provides more heat for more efficient grilling

Illuminates your grilling surface with two powerful halogen lights

Eliminates the need for a pilot light with electric hot surface ignitors

Powerful 25,000 Btu infrared sear zone is perfect for searing in delicious flavor for mouthwatering results

ACCESSORIES

30" Access Doors

36" Access Doors

36" Grill Liner

42" Access Doors

54" Access Doors

Access Door - Left Hinge

Access Door - Right Hinge

Black Knobs

Built-In Cover

Cart Cover

Combo Door and Drawer

Double Storage Drawer

Double Trash/Recycling Drawer

Griddle Plate

Paper Towel Drawer

Rotisserie Conversion

Short Dry Storage

Single Drawer Storage

Single Trash/Recycling Drawer

Tall Dry Storage - Left Hinge

Tall Dry Storage - Right Hinge

Triple Storage Drawer



KNOB OPTIONS



GRILL SPECIFICATIONS

- Halogen lighting
- External reading thermometer
- Rotisserie
- 3 removable stainless steel burner grate; 1 warming rack
- Removable drip tray

Accessories available through an authorized dealer.
For local dealer information, visit subzero-wolf.com/locator.

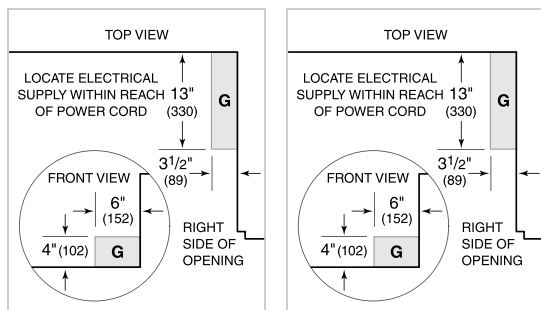
Specifications are subject to change without notice. This information was generated on January 6, 2020. Verify specifications prior to finalizing your cabinetry/enclosures.

PRODUCT SPECIFICATIONS

Model	OG36
Dimensions	36"W x 27"H x 30"D
Electrical Supply	120 VAC, 60 Hz
Electrical Service	15 amp dedicated circuit
Gas Supply	3/4" ID line
Gas Inlet	1/2" NPT female
Power Cord Length	5 Feet
Receptacle	3-prong grounding-type

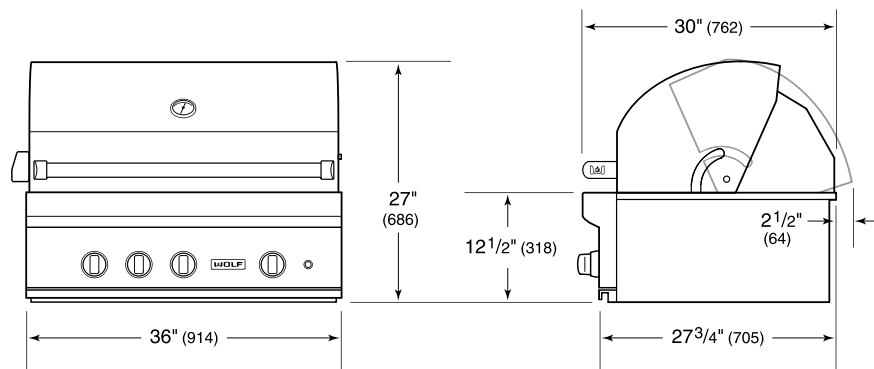
ELECTRICAL

GAS

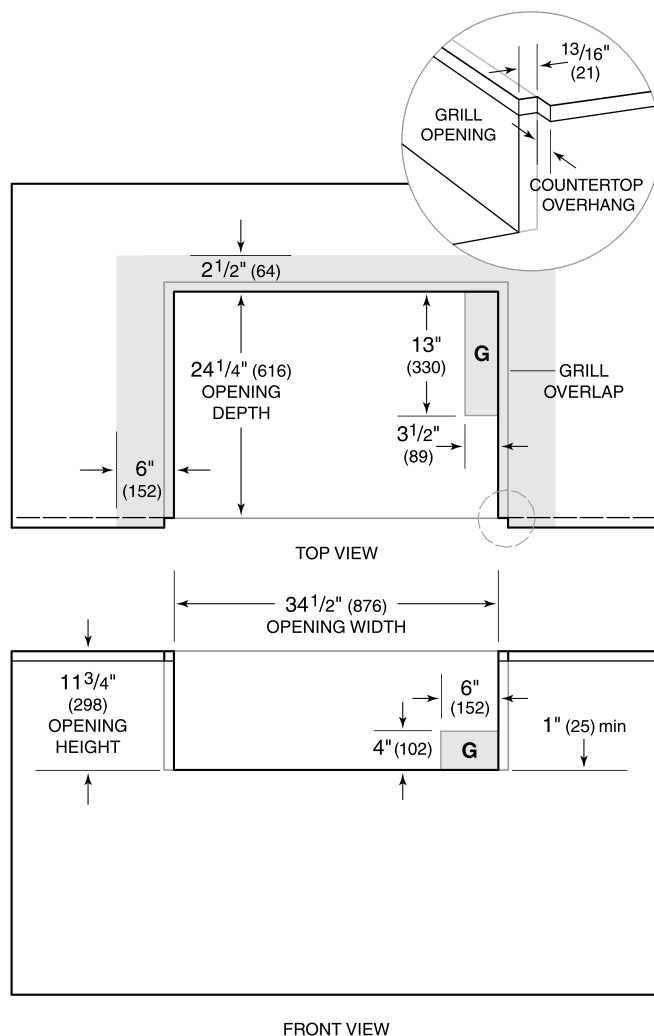


NOTE: Dimensions in parenthesis are in millimeters unless otherwise specified

DIMENSIONS



STANDARD INSTALLATION



NOTE: Shaded area above countertop indicates minimum clearance to combustibles, combustibles cannot be located within this area.

OG 42

FEATURES

Three individually contained 25,000 Btu grill burners deliver exceptional high to low control

Have it built-in or make it a free-standing cart

Gain nuanced control and more taste from the direct and radiant heat provided by ceramic briquettes

Designed with a stainless-steel cover

Grill any time of day with LED-lit signature Wolf red control knobs

The two position rotisserie handles dishes large and small with a 16,000 Btu infrared burner

Resists the elements with its heavy-duty, all-weather stainless-steel construction

Using our easy-open, double-wall hood provides more heat for more efficient grilling

Illuminates your grilling surface with two powerful halogen lights

Eliminates the need for a pilot light with electric hot surface ignitors

Powerful 25,000 Btu infrared sear zone is perfect for searing in delicious flavor for mouthwatering results

ACCESSORIES

30" Access Doors

36" Access Doors

42" Access Doors

42" Grill Liner

54" Access Doors

Access Door - Left Hinge

Access Door - Right Hinge

Black Knobs

Built-In Cover

Cart Cover

Combo Door and Drawer

Double Storage Drawer

Double Trash/Recycling Drawer

Griddle Plate

Paper Towel Drawer

Rotisserie Conversion

Short Dry Storage

Single Drawer Storage

Single Trash/Recycling Drawer

Tall Dry Storage - Left Hinge

Tall Dry Storage - Right Hinge

Triple Storage Drawer



KNOB OPTIONS



GRILL SPECIFICATIONS

- Halogen lighting
- External reading thermometer
- Rotisserie
- 3 removable stainless steel burner grate; 1 warming rack
- Removable drip tray

Accessories available through an authorized dealer.
For local dealer information, visit subzero-wolf.com/locator.

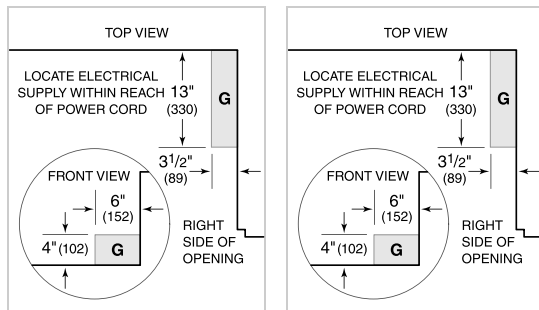
Specifications are subject to change without notice. This information was generated on January 6, 2020. Verify specifications prior to finalizing your cabinetry/enclosures.

PRODUCT SPECIFICATIONS

Model	OG42
Dimensions	42"W x 27"H x 30"D
Electrical Supply	120 VAC, 60 Hz
Electrical Service	15 amp dedicated circuit
Gas Supply	3/4" ID line
Gas Inlet	1/2" NPT female
Power Cord Length	5 Feet
Receptacle	3-prong grounding-type

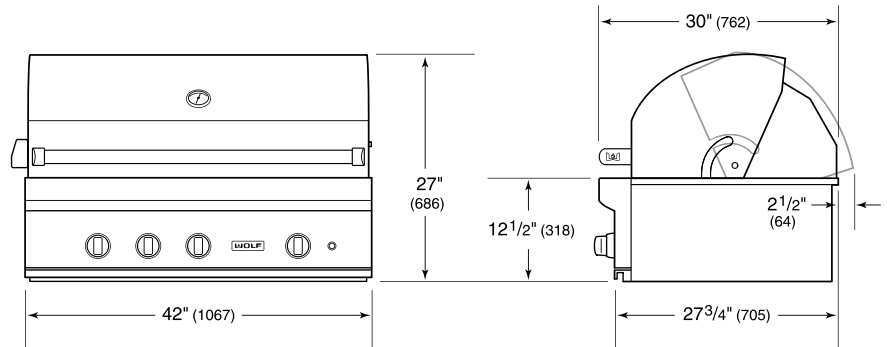
ELECTRICAL

GAS

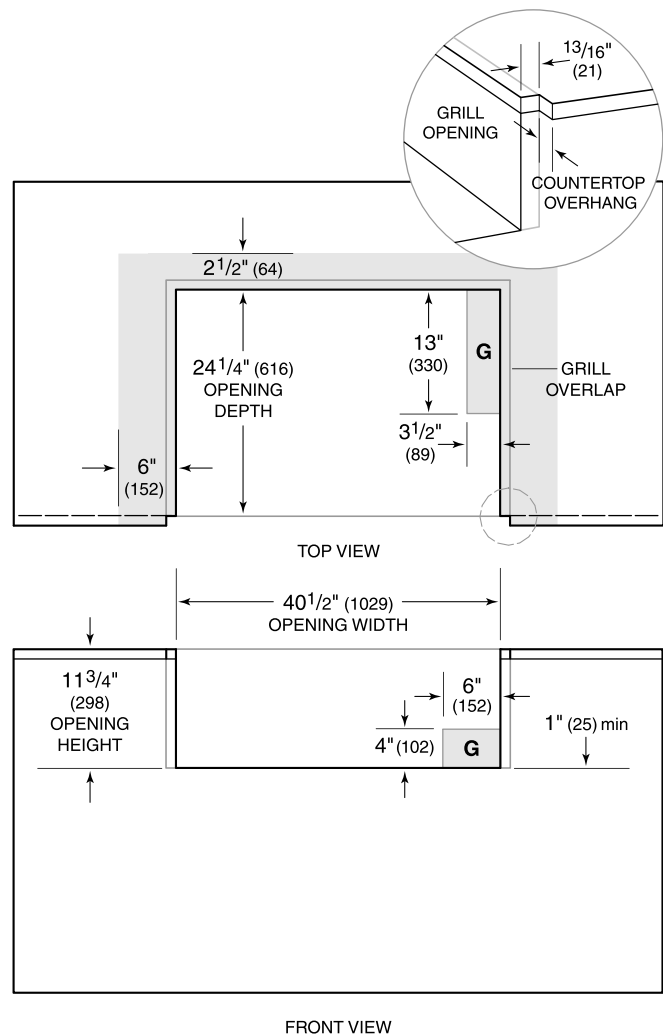


NOTE: Dimensions in parenthesis are in millimeters unless otherwise specified

DIMENSIONS



STANDARD INSTALLATION



NOTE: Shaded area above countertop indicates minimum clearance to combustible surfaces, combustible materials cannot be located within this area.

OG 54

FEATURES

Four individually contained 25,500 Btu grill burners deliver exceptional high to low control

Have it built-in or make it a free-standing cart

Gain nuanced control and more taste from the direct and radiant heat provided by ceramic briquettes

Designed with a stainless-steel cover

Grill any time of day with LED-lit signature Wolf red control knobs

The two position rotisserie handles dishes large and small with two independently controlled 14,000 Btu infrared burners

Resists the elements with its heavy-duty, all-weather stainless-steel construction

Using our easy-open, double-wall hood provides more heat for more efficient grilling

Illuminates your grilling surface with three powerful halogen lights

Eliminates the need for a pilot light with electric hot surface ignitors

Powerful 25,500 Btu infrared sear zone is perfect for searing in delicious flavor for mouthwatering results

ACCESSORIES

30" Access Doors

36" Access Doors

42" Access Doors

54" Access Doors

54" Grill Liner

Access Door - Left Hinge

Access Door - Right Hinge

Black Knobs

Built-In Cover

Combo Door and Drawer

Double Storage Drawer

Double Trash/Recycling Drawer

Griddle Plate

Paper Towel Drawer

Rotisserie Conversion

Short Dry Storage

Single Drawer Storage

Single Trash/Recycling Drawer

Tall Dry Storage - Left Hinge

Tall Dry Storage - Right Hinge

Triple Storage Drawer

Accessories available through an authorized dealer.

For local dealer information, visit subzero-wolf.com/locator.



KNOB OPTIONS



GRILL SPECIFICATIONS

- Halogen lighting
- External reading thermometer
- Rotisserie
- 4 removable stainless steel burner grate; 1 warming rack
- Removable drip tray

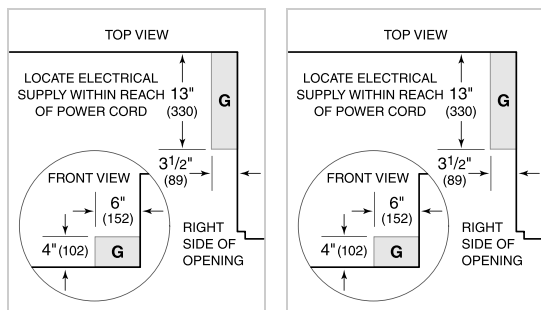
Specifications are subject to change without notice. This information was generated on January 6, 2020. Verify specifications prior to finalizing your cabinetry/enclosures.

PRODUCT SPECIFICATIONS

Model	OG54
Dimensions	54"W x 27"H x 30"D
Electrical Supply	120 VAC, 60 Hz
Electrical Service	15 amp dedicated circuit
Gas Supply	3/4" ID line
Gas Inlet	1/2" NPT female
Power Cord Length	5 Feet
Receptacle	3-prong grounding-type

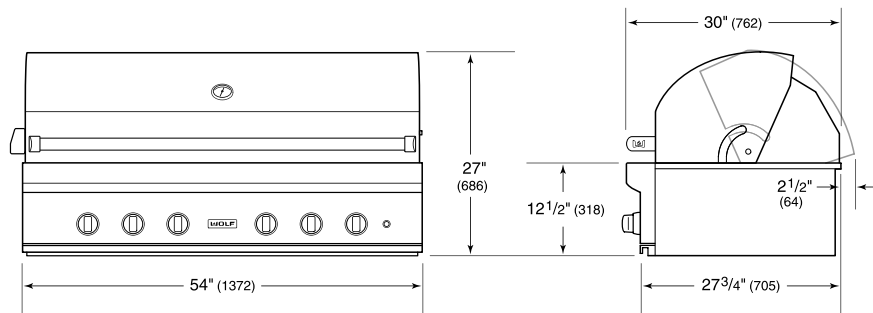
ELECTRICAL

GAS

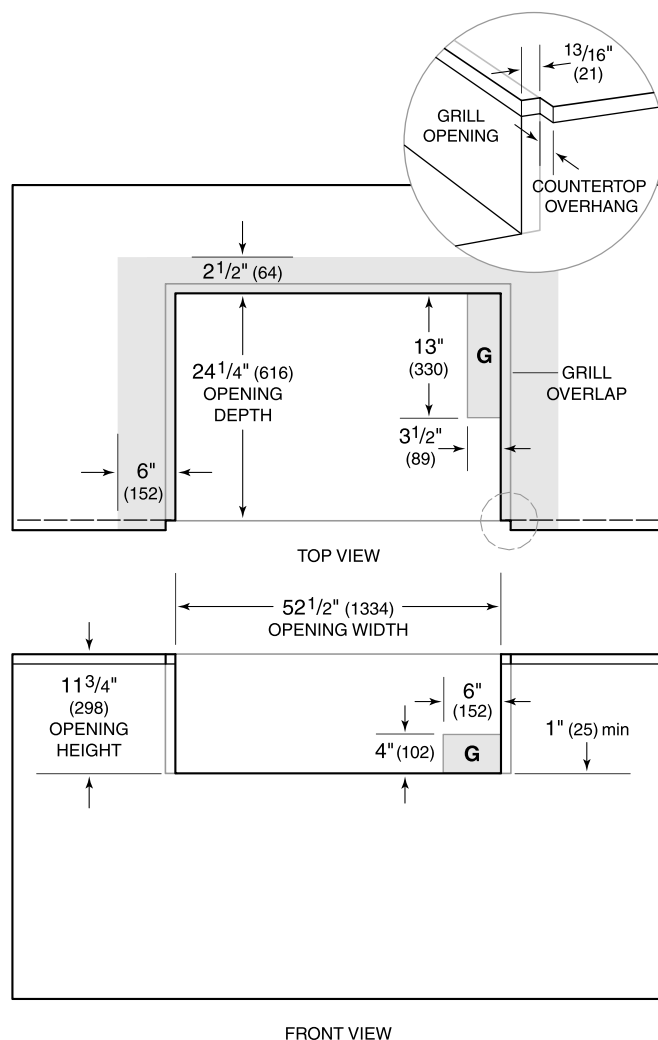


NOTE: Dimensions in parenthesis are in millimeters unless otherwise specified

DIMENSIONS



STANDARD INSTALLATION



NOTE: Shaded area above countertop indicates minimum clearance to combustible surfaces, combustible materials cannot be located within this area.

SB 13

FEATURES

Prepare side dishes or warm barbecue sauce for easy basting

Offers 24,000 Btu heat—ideal for searing meats on high or scrambling eggs on low

Constructed with heavy-duty stainless steel

Attaches easily to a grill cart

Designed with a stainless-steel cover and burner grates

Grill any time of day with LED-lit signature Wolf red control knobs

Skip the need for a pilot light with electric hot surface ignitors

ACCESSORIES

Black Knob

Accessories available through an authorized dealer.
For local dealer information, visit subzero-wolf.com/locator.



KNOB OPTIONS



GRILL SPECIFICATIONS

- 1 burner grate

PRODUCT SPECIFICATIONS

Model	SB13
Dimensions	13"W x 10 3/4"H x 30"D
Electrical Supply	120 VAC, 60 Hz
Electrical Service	15 amp dedicated circuit
Gas Supply	3/4" ID line
Gas Inlet	1/2" NPT female

NOTE: Dimensions in parenthesis are in millimeters unless otherwise specified

DIMENSIONS